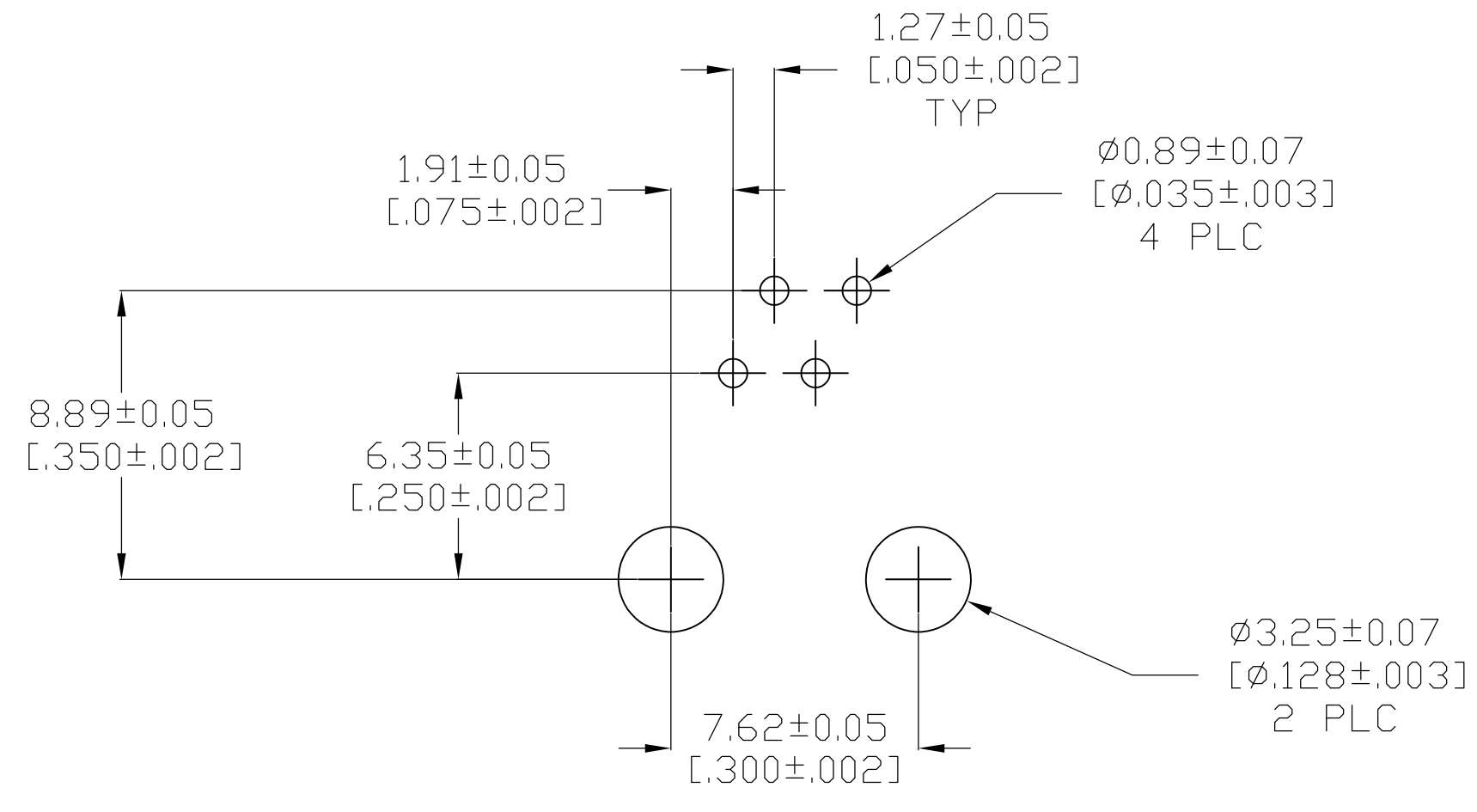
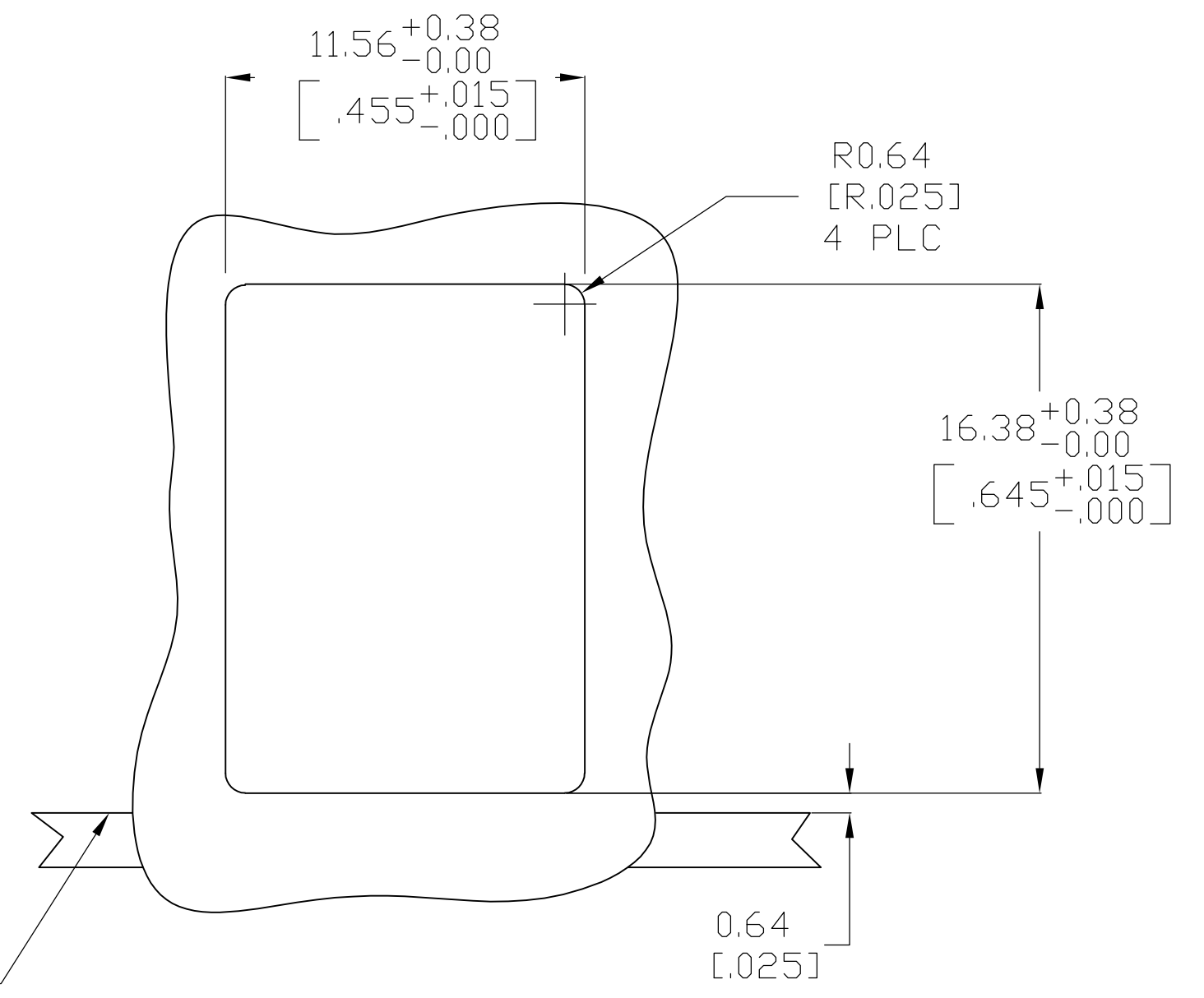


- MATERIAL:
HOUSING - POLYESTER, UL-94-V0, COLOR: BLACK
TERMINAL - 0.36[.014] THICK PHOS BRONZE PLATED WITH (SEE TABLE) MIN HARD GOLD IN LOCALIZED GOLD PLATE AREA AND 3.81µm[.000150] MIN THICK MATTE TIN IN SOLDER AREA OVER 1.27µm[.000050] MIN THICK NICKEL UNDERPLATE

△ CAVITY CONFORMS TO FCC RULES AND REGULATIONS PART 68 AND REA BULLETIN 345-81 PE 76 SPECIFICATION FOR MODULAR TELEPHONE HARDWARE.

3. DIMENSIONS ARE MAXIMUM UNLESS OTHERWISE SPECIFIED.

△ 0.15µm[.000006] GOLD PLATED PARTS DO NOT MEET THE MINIMUM GOLD THICKNESS REQUIREMENT OF FCC SPECIFICATION, PART 68. PARTS HAVE NOT BEEN TESTED TO THE DURABILITY REQUIREMENTS OF TE CONNECTIVITY PRODUCT SPEC 108-1163



RECOMMENDED PANEL CUTOUT

RECOMMENDED PRINTED CIRCUIT BOARD LAYOUT COMPONENT SIDE

OBSELETE	△ 0.15µm[.000006]	2-5520249-2
	1.27µm[.000050]	5520249-2
	GOLD THICKNESS	PART NUMBER

THIS DRAWING IS A CONTROLLED DOCUMENT. DIMENSIONING AND TOLERANCING PER ASME Y14.5M-2009		DIN J. ALCORTA - 17JUN2005 DOCK45		S. FLICKINGER 17JUN2005	
DIMENSIONS: mm [INCHES]		TOLERANCES UNLESS OTHERWISE SPECIFIED:		APVD S. FLICKINGER 17JUN2005 NAME	
0 PLC ± -		1 PLC ± -		PRODUCT SPEC	
2 PLC ± -		3 PLC ± 0.13[.005]		APPLICATION SPEC	
4 PLC ± -		ANGLES ± -		114-2048	
MATERIAL SEE NOTE 1		FINISH SEE NOTE 1		WEIGHT -	
				A1 00779 C=5520249	
				CUSTOMER DRAWING	
				SCALE 5:1 SHEET 1 OF 1 REV D2	